



# INSTALLATION INSTRUCTIONS

Accessory  
**EXHAUST PIPE FINISHER**  
P/N 08F53-T0A-100

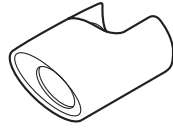
Application  
**2012 CR-V**

Publications No.  
**All 12074**  
Issue Date  
**DEC 2011**

Put this information in the glove box with the vehicle owner's manual.

## PARTS LIST

Exhaust pipe finisher



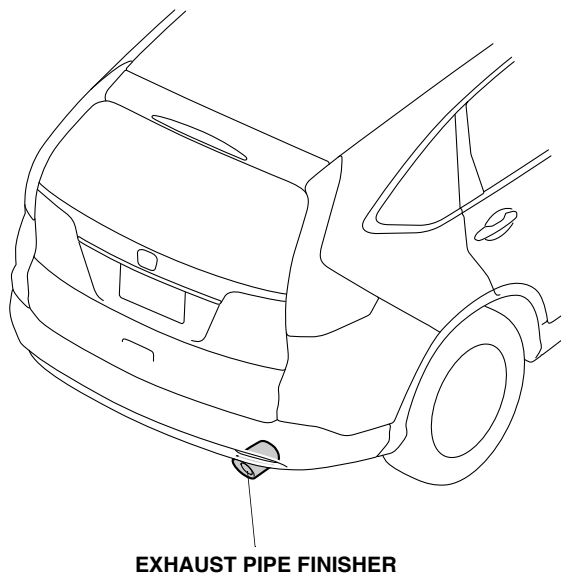
Washer-bolt



## TOOLS AND SUPPLIES REQUIRED

Ratchet  
10 mm Socket  
Torque wrench

### Illustration of the Exhaust Pipe Finisher Installed on the Vehicle

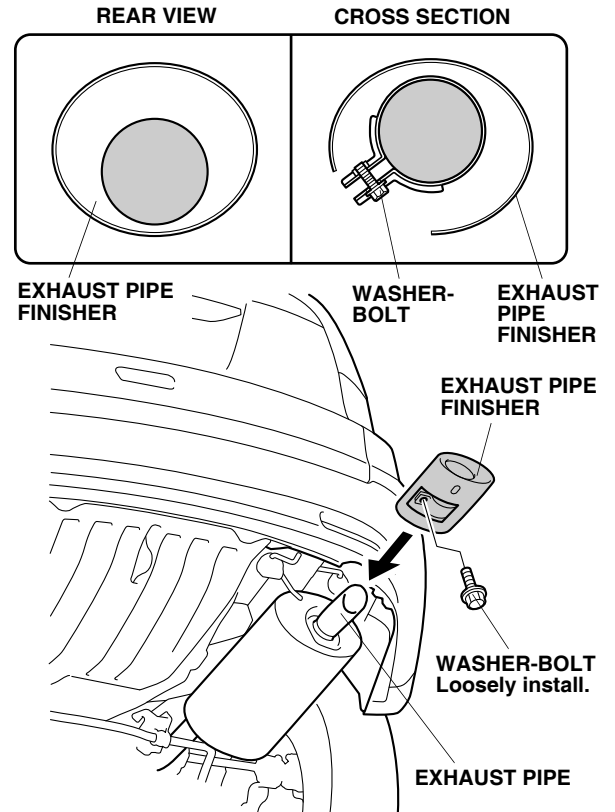


## INSTALLATION

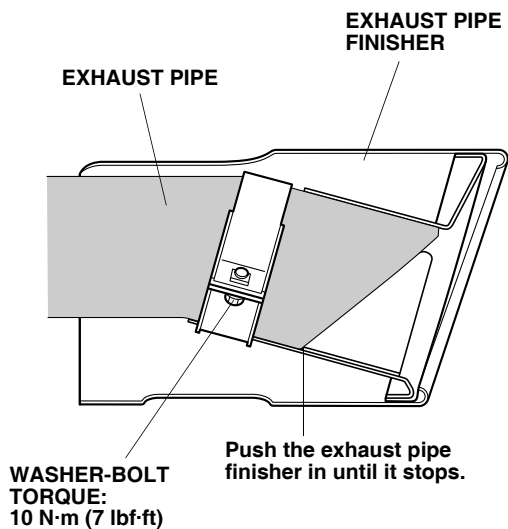
### NOTE:

- Install the accessory with care not to damage the vehicle body and the parts of the vehicle.
- The exhaust pipe finisher is designed exclusively for the CR-V, it is not applicable to the other models.
- Allow the exhaust pipe to cool down before installing the exhaust pipe finisher.

1. Partially thread the washer-bolt into the exhaust pipe finisher. Slide the exhaust pipe finisher onto the exhaust pipe.



2. Continue to slide the exhaust pipe finisher in until it contacts the end of the exhaust pipe. While holding the exhaust pipe finisher firmly against the exhaust pipe, torque the washer bolt to 10 N·m (7 lbf·ft).



3. Start the engine, and rev it up a few times. Listen for vibration from the exhaust pipe finisher, and adjust if necessary.

### **CLEANING THE EXHAUST PIPE FINISHER**

Use a sponge or cloth and a solution of mild liquid dishwashing soap and water to clean the exhaust pipe finisher. Wax the exhaust pipe finisher using Honda Metal Polish (08C20-A021S). Never use a wax that contains abrasive material as it may scratch the surface.