



# INSTALLATION INSTRUCTIONS

Accessory  
**LOWER DOOR TRIM**  
P/N 08F57-T2F-100

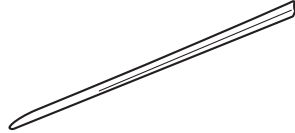
Application  
**2016 ACCORD**  
4-DOOR

Publications No.  
**VERSION 1**

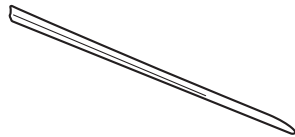
Issue Date  
**AUG 2015**

## PARTS LIST

Left front lower door trim



Right front lower door trim



Left rear lower door trim



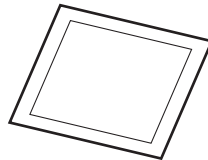
Right rear lower door trim



8 Clips



4 Alcohol swabs



## TOOLS AND SUPPLIES REQUIRED

Masking tape

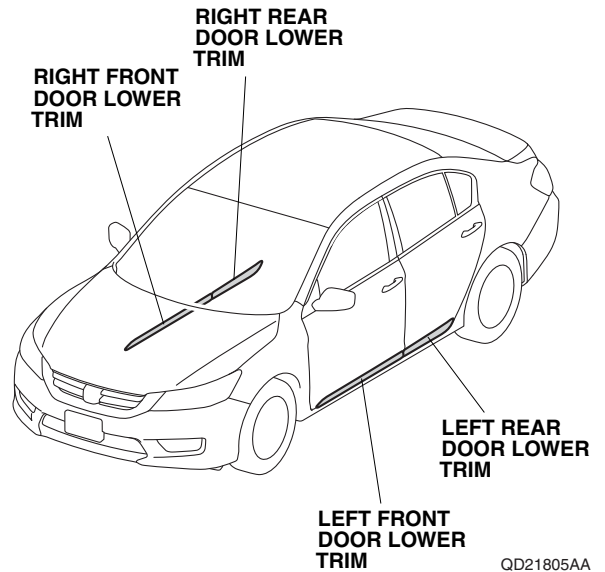
Utility Knife

Ruler

*The following tool is available through the Honda Tool and Equipment Program. On the iN, click on: Service > Service Bay > Tool and Equipment Program, then enter the number under "Search". Or, call 888-424-6857.*

- Rubber Roller (T/N MHLE54D)

## Illustration of the Door Lower trim on the Vehicle



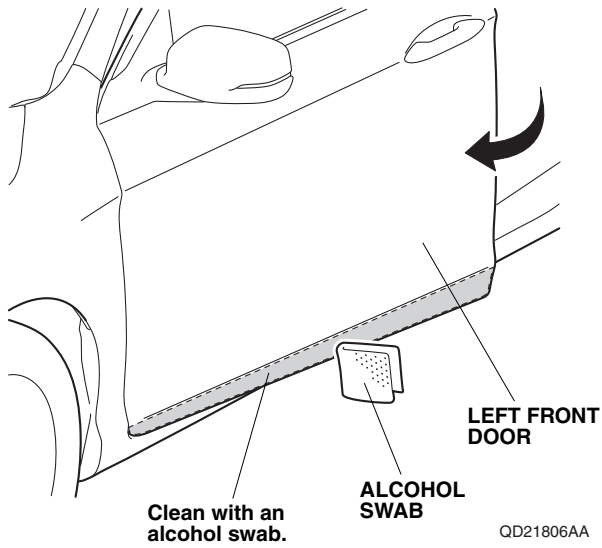
## INSTALLATION

**Customer Information:** The information in this installation instruction is intended for use only by skilled technicians who have the proper tools, equipment, and training to correctly and safely add equipment to your vehicle. These procedures should not be attempted by "do-it-yourselfers."

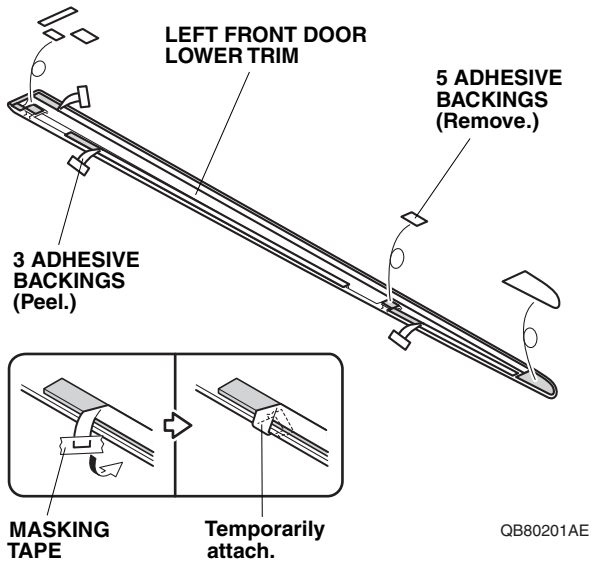
### NOTE:

- Do not damage the body paint finish.
- This kit should be installed only if the ambient air temperature is 15°C (60°F) or above.
- To allow the adhesive to cure, do not wash the vehicle for 24 hours. Please advise the customer.

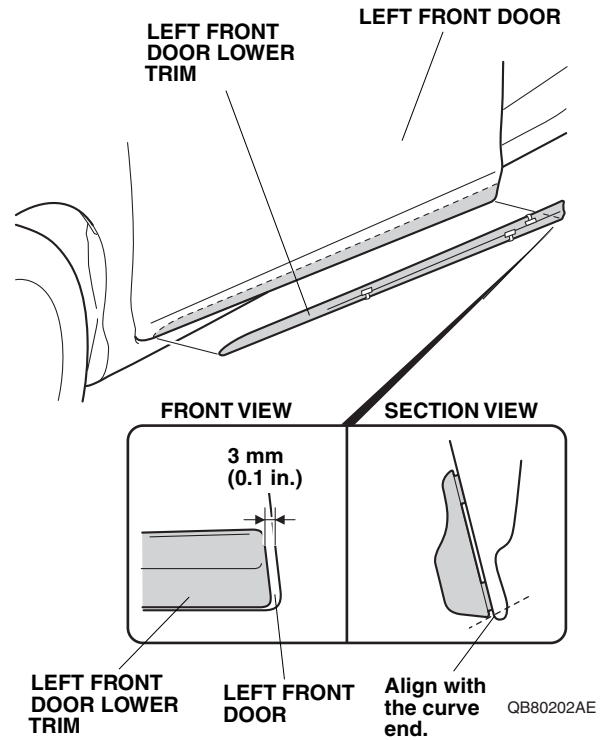
1. Open the left front door. Using one alcohol swab, thoroughly clean the door where the left front door lower trim will attach.



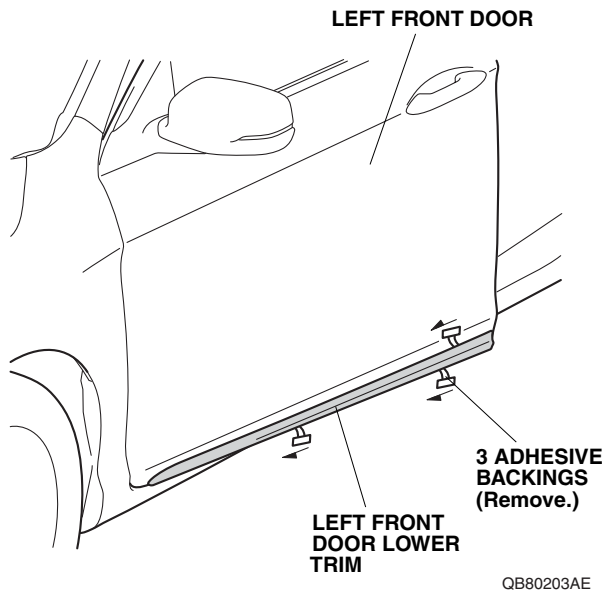
2. Peel back the adhesive backings, and tape them to the front surface of the left front trim with masking tape. Remove the small adhesive backings at each end.



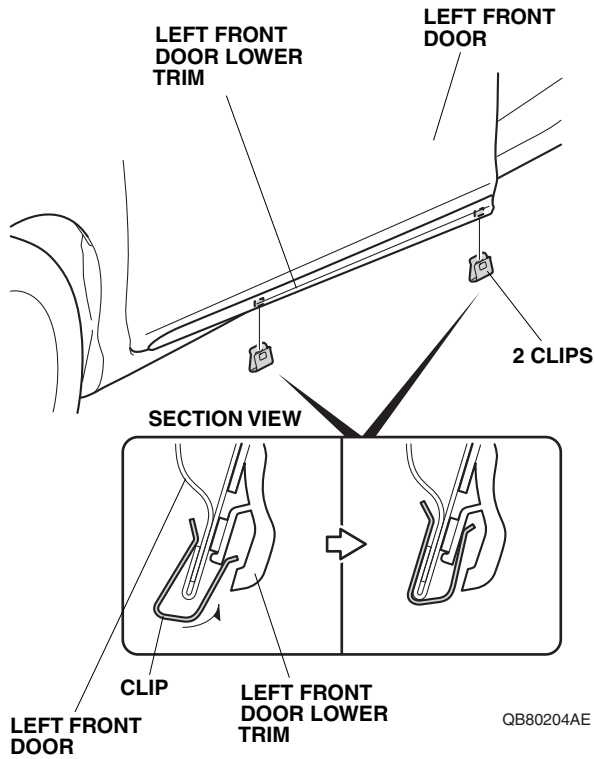
3. Align and attach the left front trim as shown.



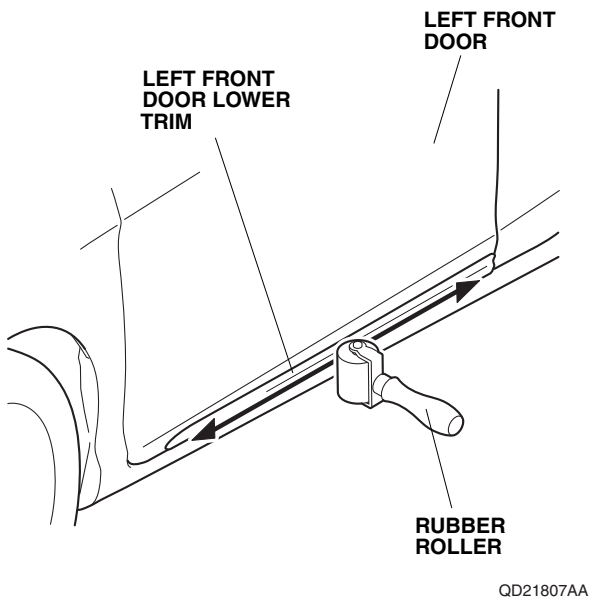
4. While applying light pressure against the trim, carefully remove the taped adhesive backings.



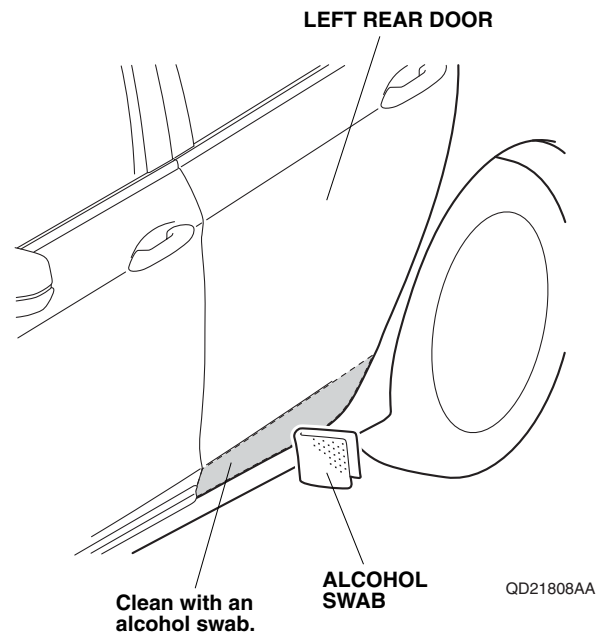
- Secure the trim to the door with the two clips provided.



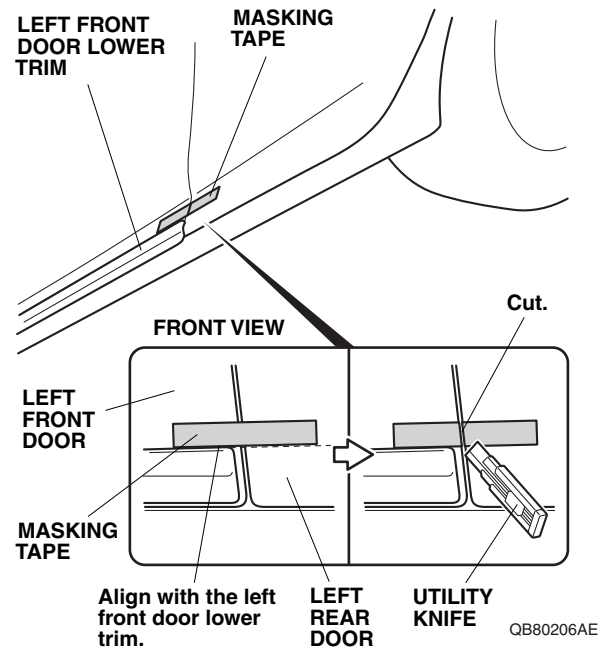
- Close the left front door. Using a rubber roller, apply firm pressure against the left front door lower trim and roll from one end to the other. Apply firm pressure especially at the ends.



- Using one alcohol swab, thoroughly clean the door where the left rear trim will attach.

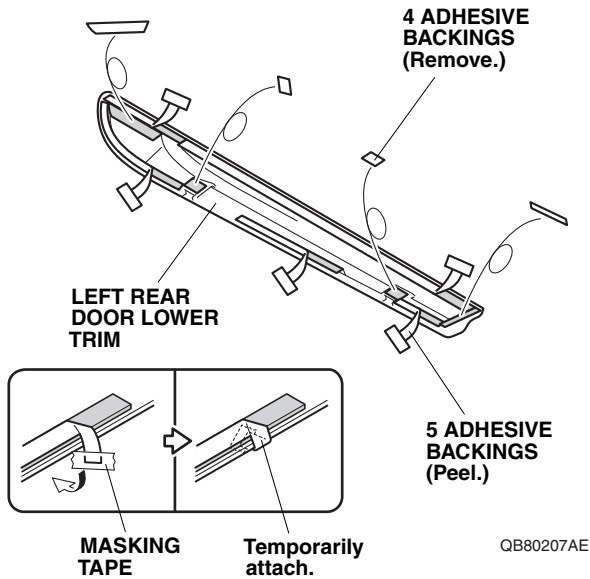


- Align and attach a masking tape to the upper edge of the left front door lower trim as shown.

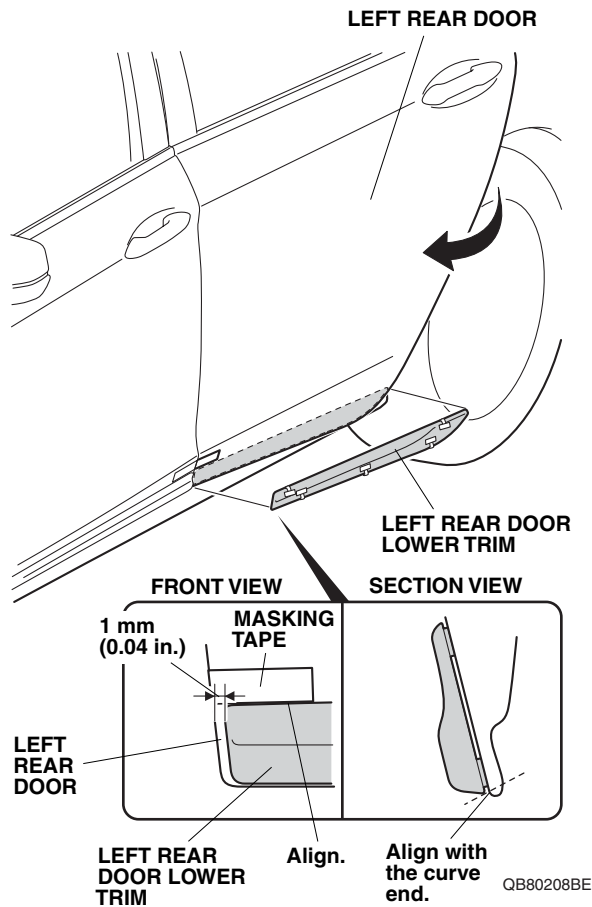


- Using an utility knife, cut the masking tape along the gap of the left doors. Be careful not to damage the doors.

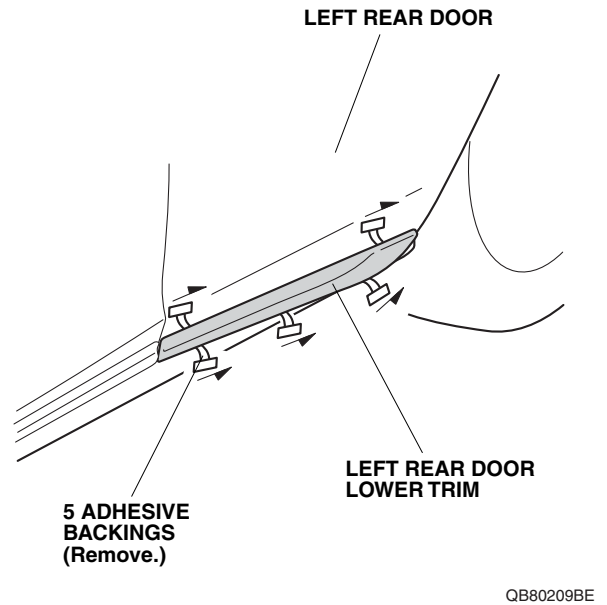
10. Peel back the adhesive backings, and tape them to the front surface of the left rear trim with masking tape. Remove the small the adhesive backings.



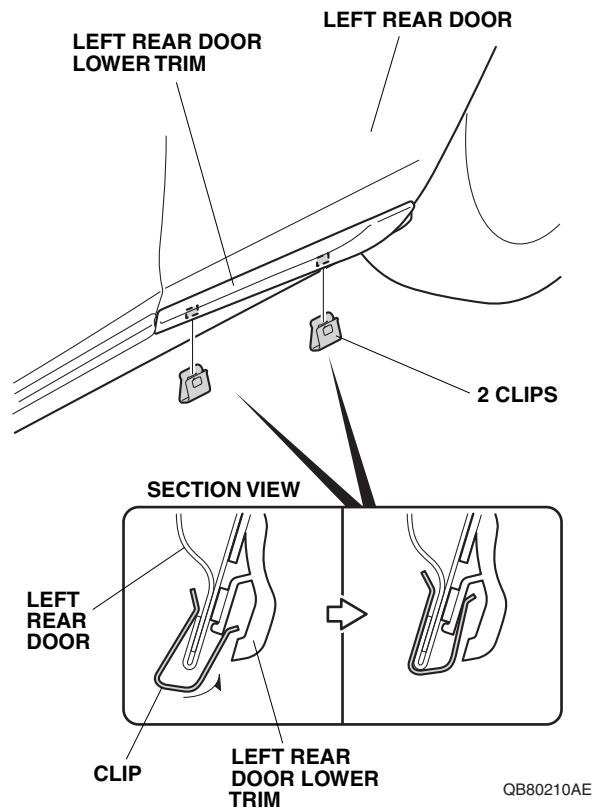
11. Align and attach the left rear trim as shown.



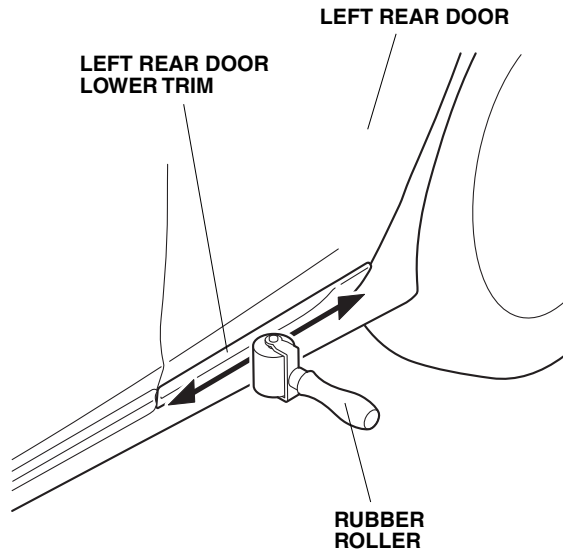
12. While applying light pressure against the trim, carefully remove the taped adhesive backings.



13. Secure the trim to the door with two clips.



- Using a rubber roller, apply firm pressure against the trim and roll from one end to the other. Apply firm pressure, especially at the ends.



QD21809AA

- Repeat steps 1 through 14 to install the lower trim on the right side of the vehicle.