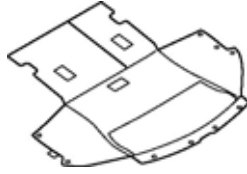


**PARTS LIST**

Cargo liner



Template A



Template B



Template C



9 Snap-screws



9 Washers



9 Well nuts



Bag


**TOOLS AND SUPPLIES REQUIRED**

Drill

3 mm, 6 mm, and 8 mm Drill bits

Pushpin

Masking tape

File

Ruler

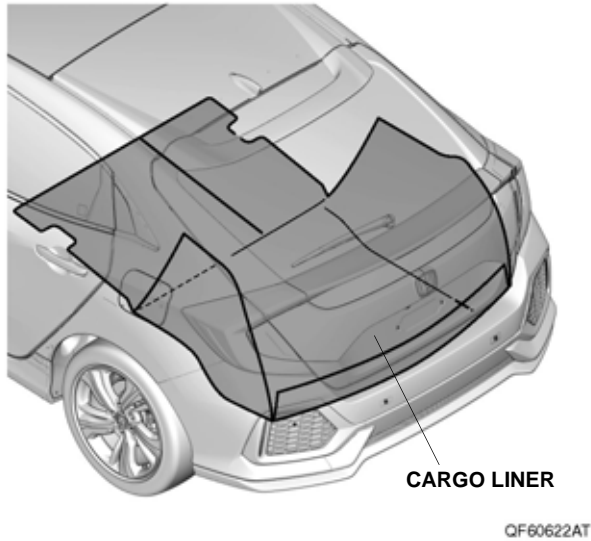
Felt-tip pen

Eye protection (face shield, safety goggles, etc.)

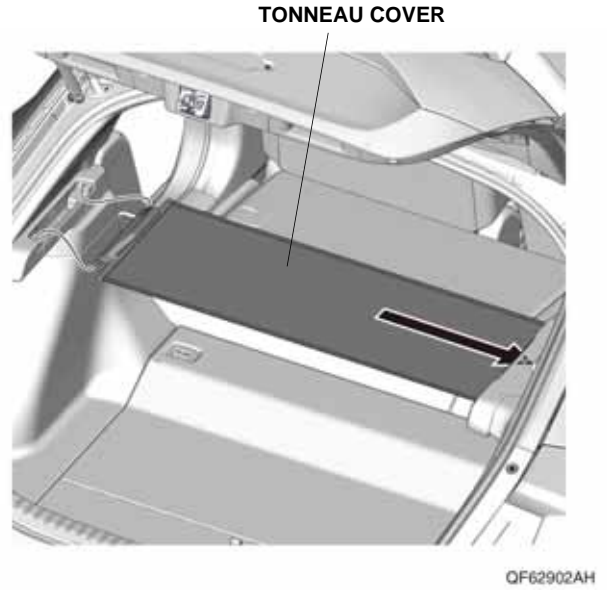
*The following tools are available through the Honda Tool and Equipment Program. On the iN, click on Service > Service Bay > Tool and Equipment Program, then enter the number under "Search." Or, call 888-424-6857.*

- Plastic Trim Tool (T/N SILTRIMTL10)
- Trim Tool Set (T/N SOJATP2014)

## Illustration of the Cargo Liner Installed in the Vehicle



2. Store the tonneau cover.



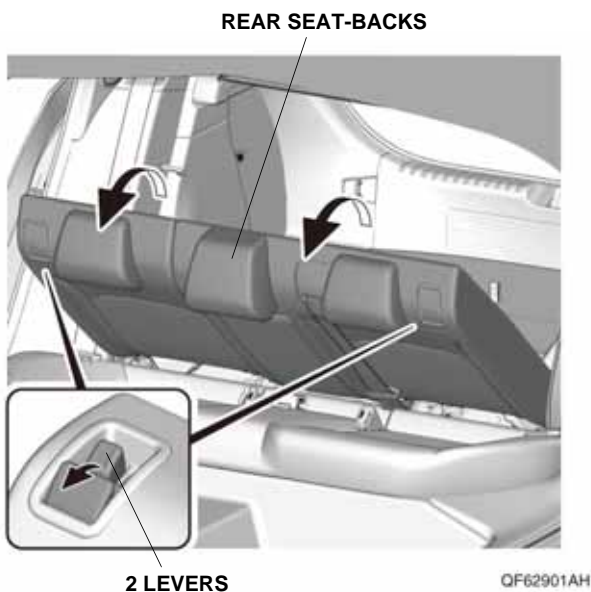
## INSTALLATION

**Customer Information:** The information in this installation instruction is intended for use only by skilled technicians who have the proper tools, equipment, and training to correctly and safely add equipment to your vehicle. These procedures should not be attempted by "do-it-yourselfers."

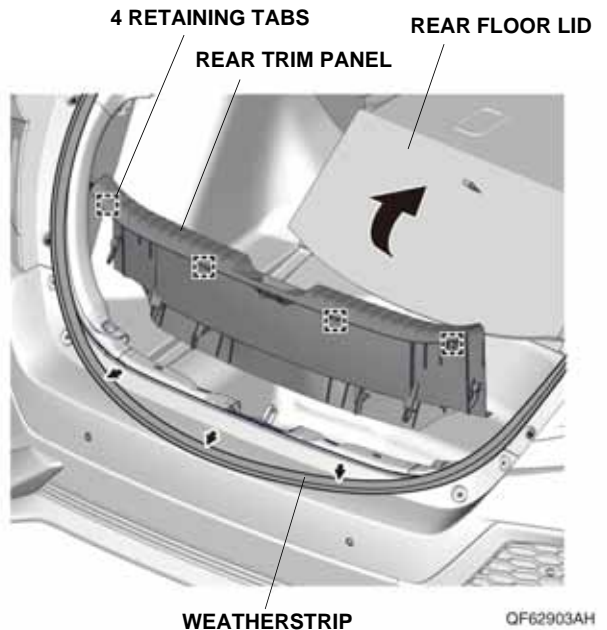
NOTE: Be careful not to damage the body.

### Installing the Cargo Liner

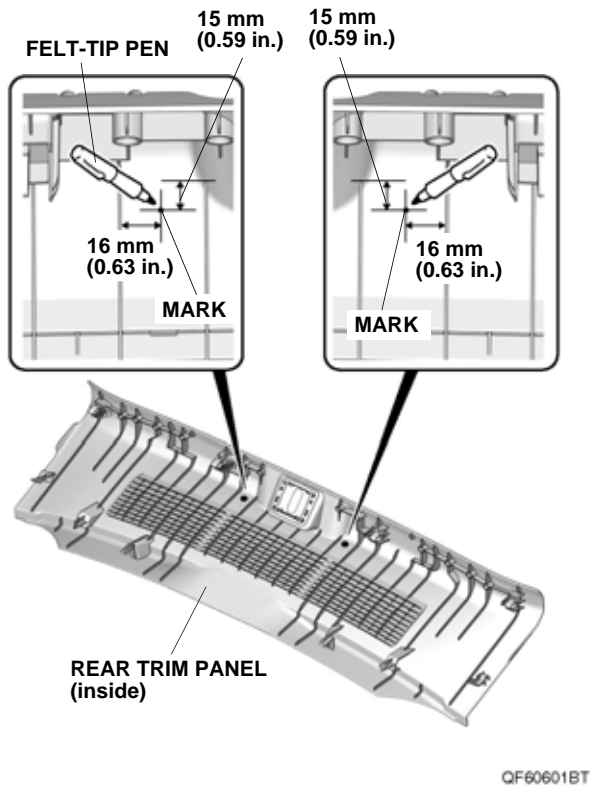
1. Open the tailgate. Fold down the rear seat-backs.



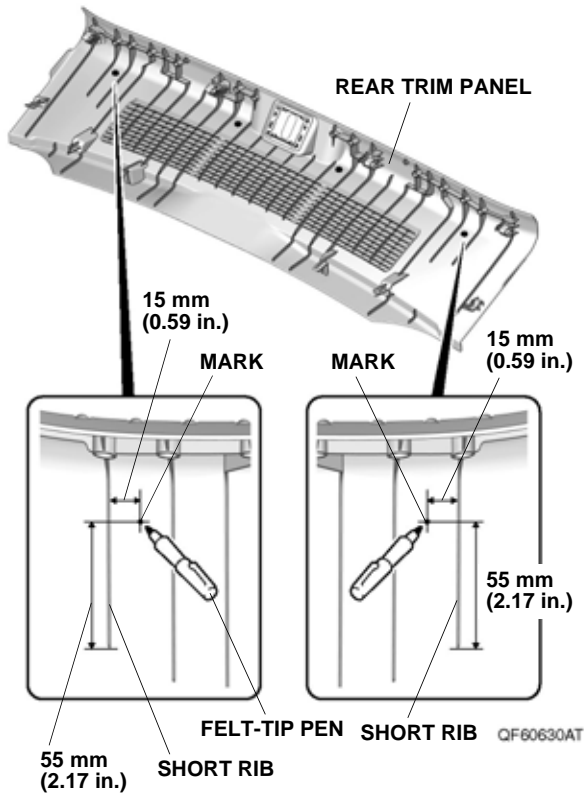
3. Open the rear floor lid. Pull away the weatherstrip and remove the rear trim panel.



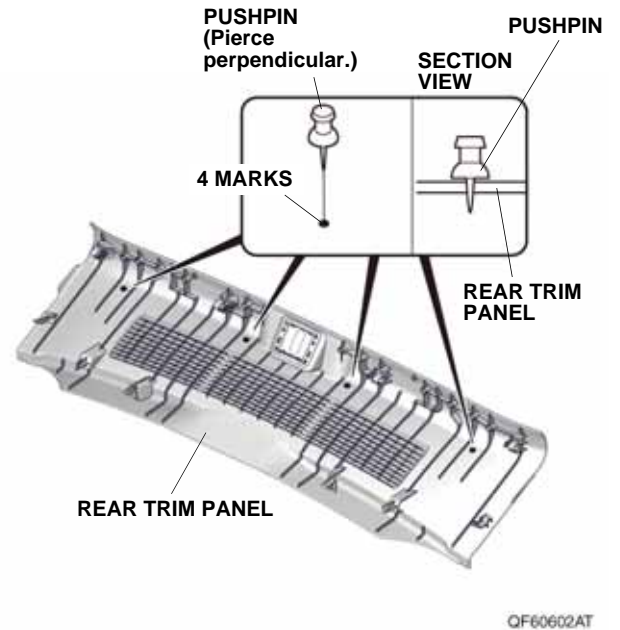
- Using a felt-tip pen, mark the rear trim panel as shown.



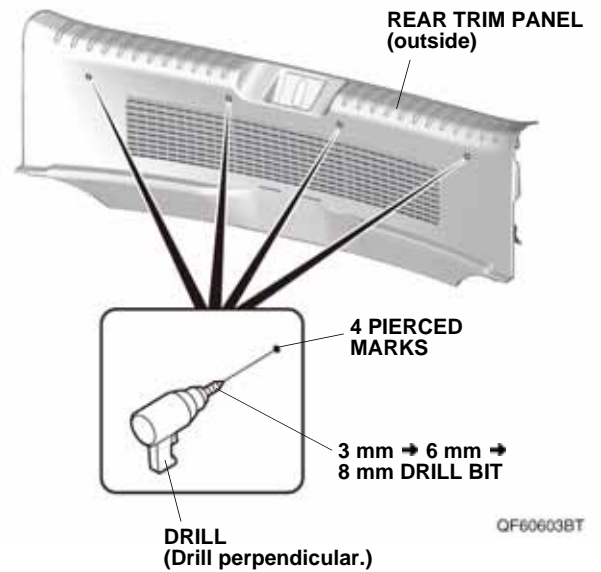
- Using a felt-tip pen, mark the rear trim panel as shown.



- Using a pushpin, pierce the four marks on the rear trim panel.

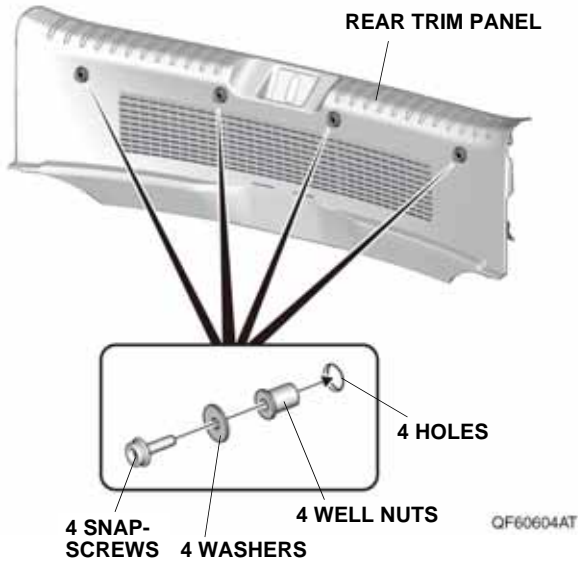


- While wearing eye protection, drill the four pierced marks with a 3 mm drill bit, with a 6 mm drill bit, then finish with an 8 mm drill bit.

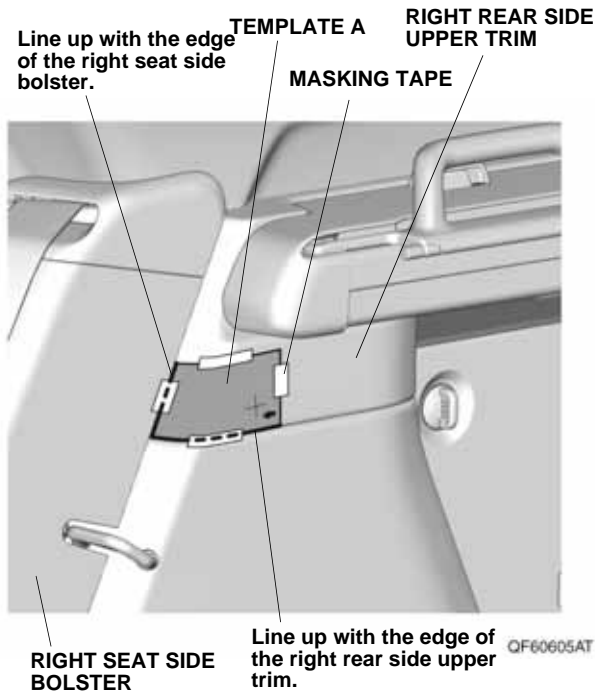


- Using a file, remove any burrs from the holes.

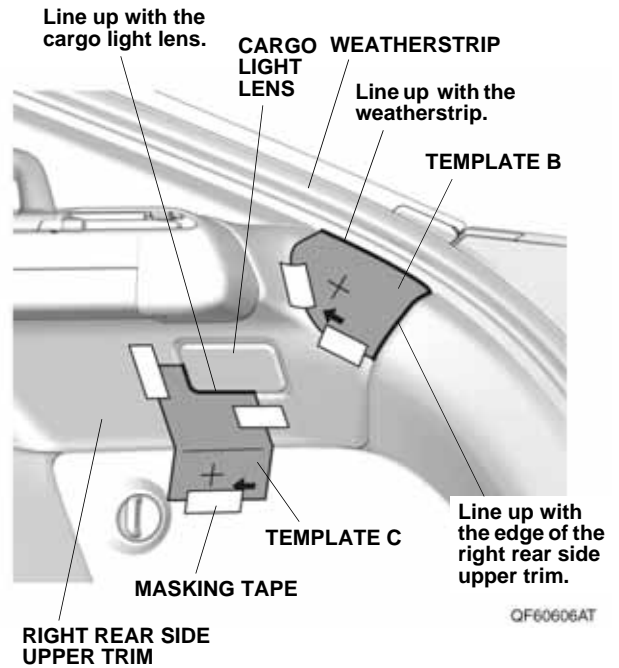
9. Press one well nut into each hole in the rear trim panel.



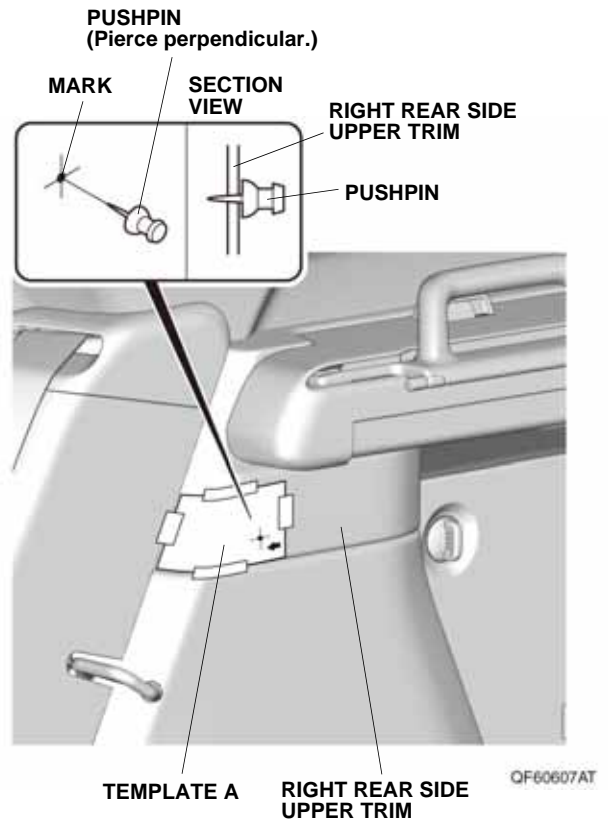
10. Place a washer onto the snap-screw and install four snap-screws.
11. Reinstall the rear trim panel and the rear floor lid.
12. Attach the template A to the right rear side upper trim with masking tape.



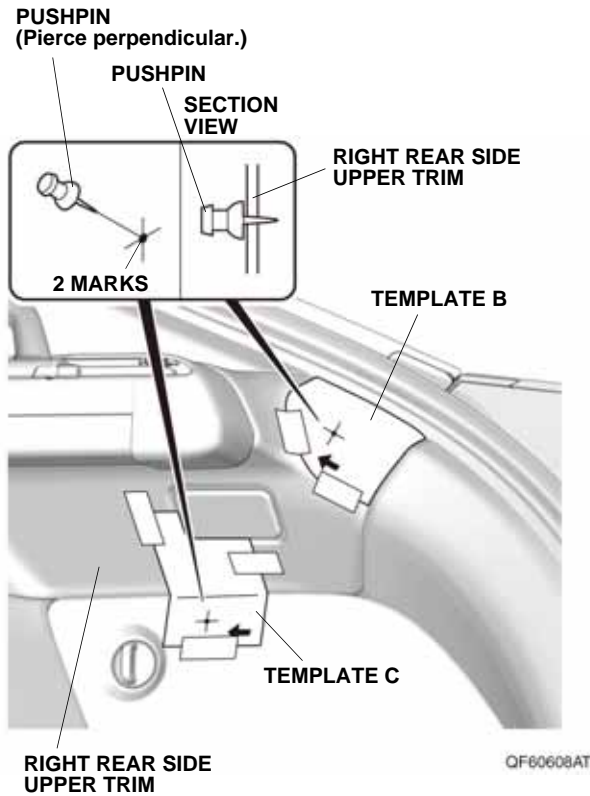
13. Attach the templates B and C to the right rear side upper trim with masking tape.



14. Using a pushpin, pierce the right rear side upper trim through the template at the location shown on the template.

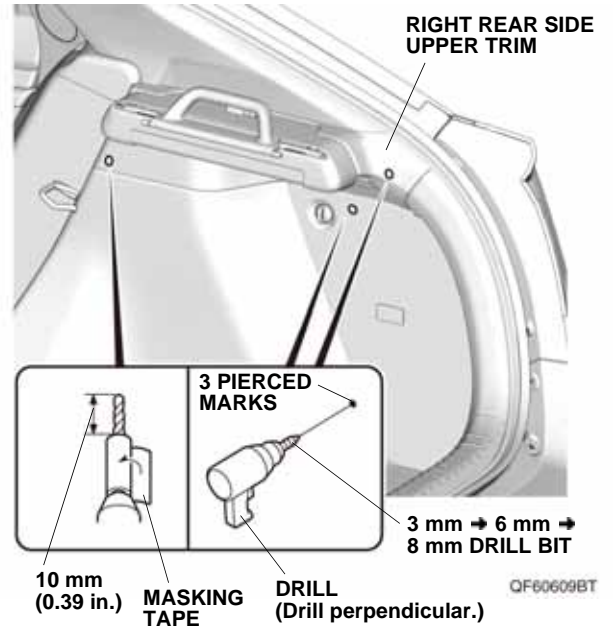


- Using a pushpin, pierce the right rear side upper trim through the templates at the two locations shown on the templates.

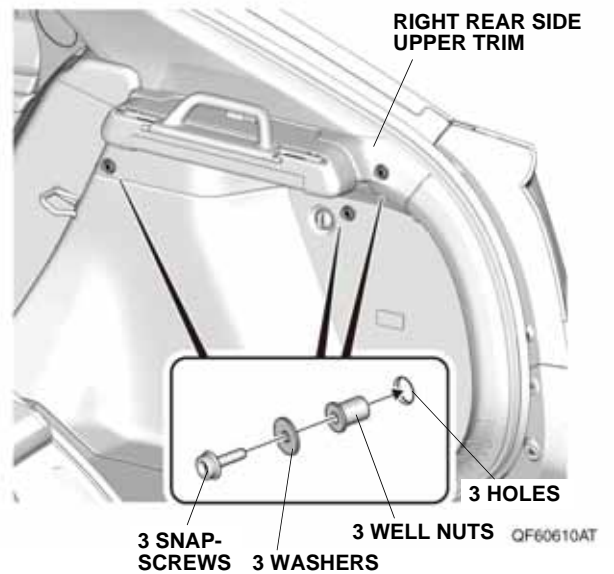


- Remove the templates.

- While wearing eye protection, drill holes through the three pierced marks in the right rear side upper trim.
  - Wrap masking tape around each drill bit 10 mm (0.39 in.) away from the tip or use a drill stop.
  - First drill with a 3 mm drill bit, next a 6 mm drill bit, and finish with an 8 mm drill bit.

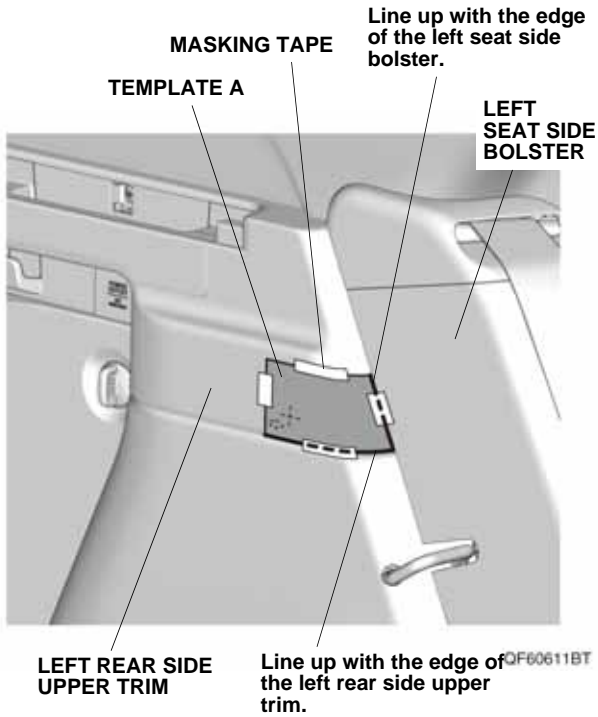


- Using a file, remove any burrs from the holes.
- Press one well nut into each hole in the right rear side upper trim.

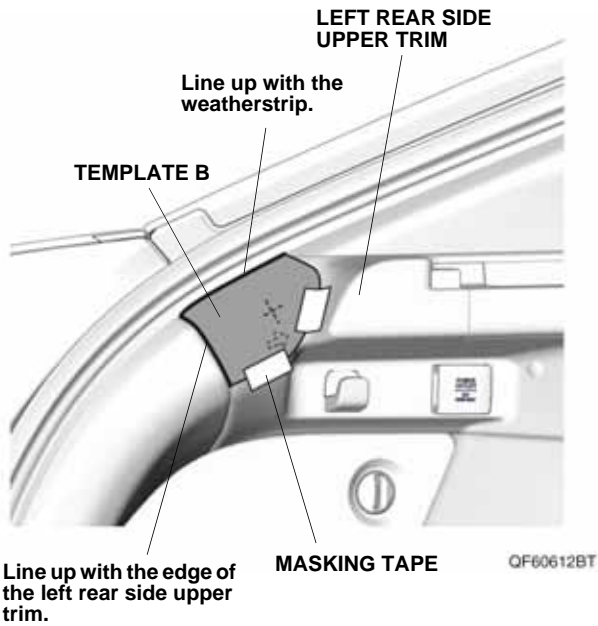


- Place a washer onto the snap-screw and install three snap-screws.

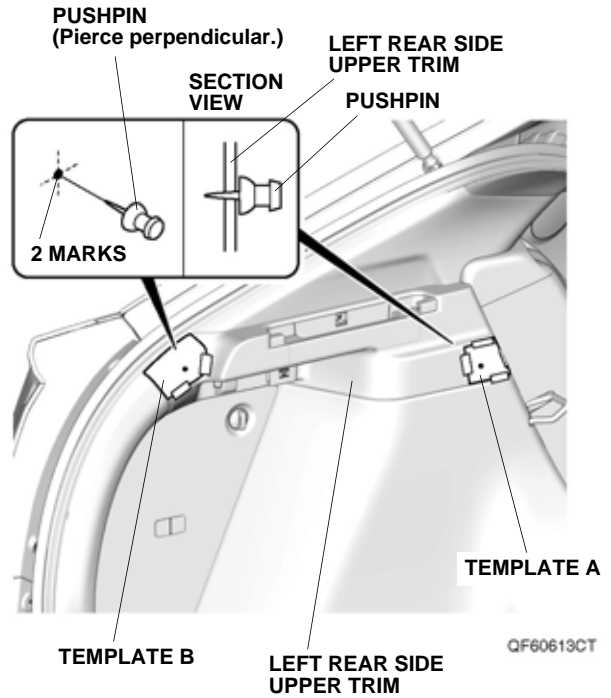
21. Turn the template A over and repeat step 12 on the left rear side upper trim.



22. Turn the template B over, attach it to the left rear side upper trim with masking tape.

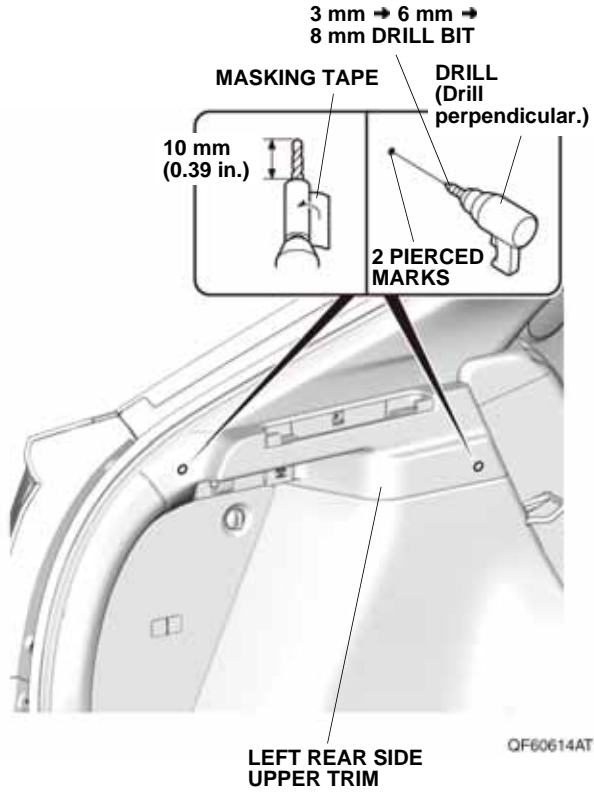


23. Using a pushpin, pierce the left rear side upper trim through the templates at the two locations shown on the templates.



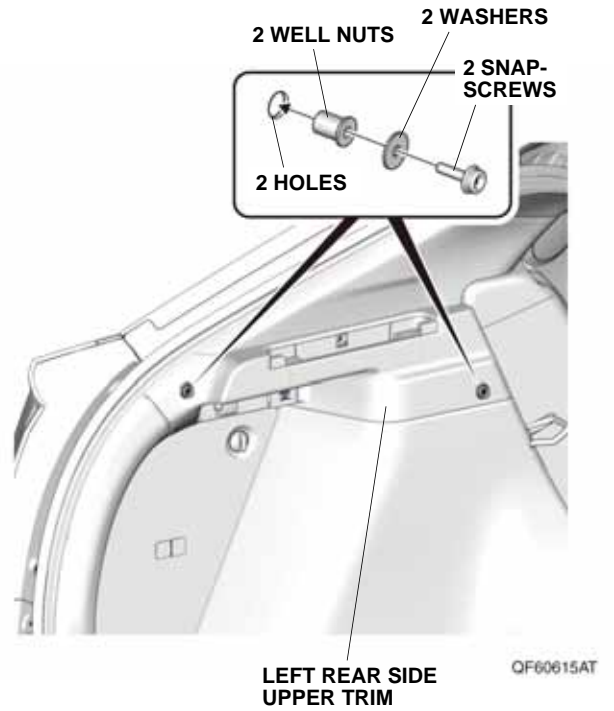
24. Remove the templates.

25. While wearing eye protection, drill holes through the two pierced marks in the left rear side upper trim.
- Wrap masking tape around each drill bit 10 mm (0.39 in.) away from the tip or use a drill stop.
  - First drill with a 3 mm drill bit, next a 6 mm drill bit, and finish with an 8 mm drill bit.

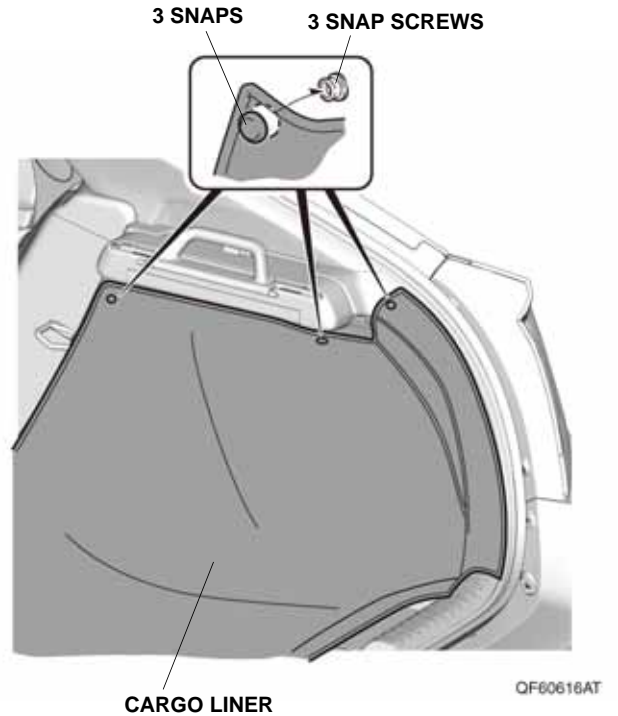


26. Using a file, remove any burrs from the holes.

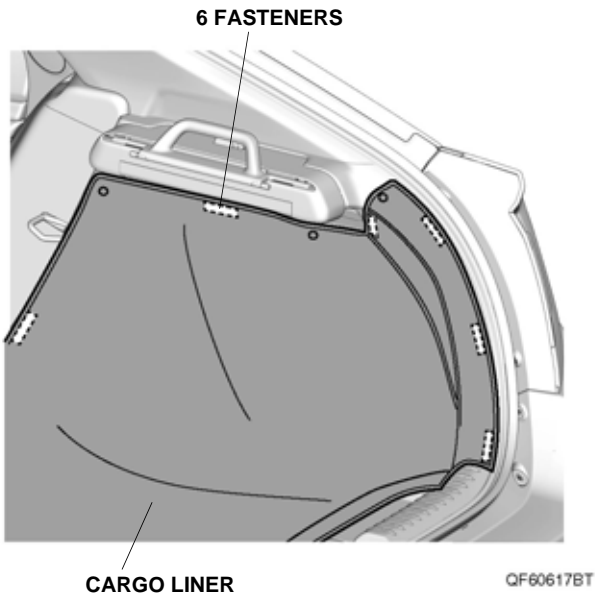
27. Press one well nut into each hole in the left rear side upper trim.



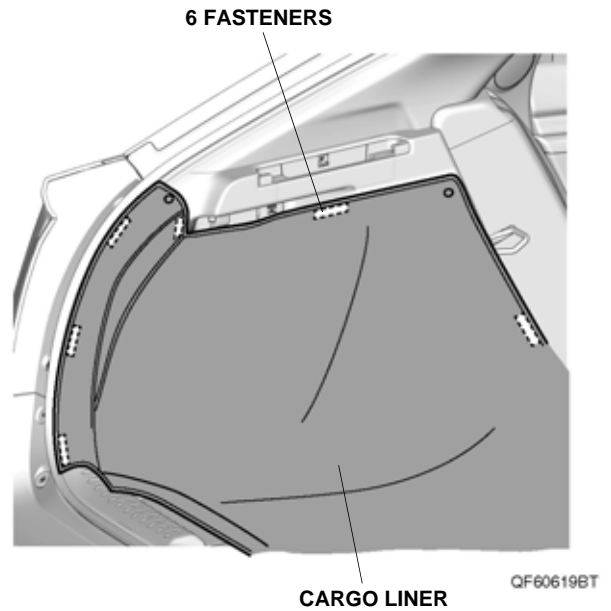
28. Place a washer onto the snap-screw and install two snap-screws.
29. Lay down the cargo liner in the cargo area and attach the three snaps into the right rear side upper trim.



30. Secure the fasteners to the right rear side lower trim as shown.



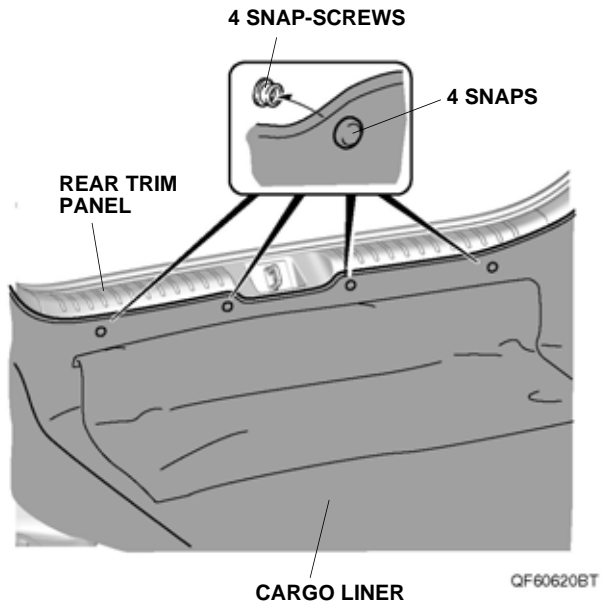
33. Secure the fasteners to the left rear side lower trim as shown.



31. Attach the two snaps into the left rear side upper trim.



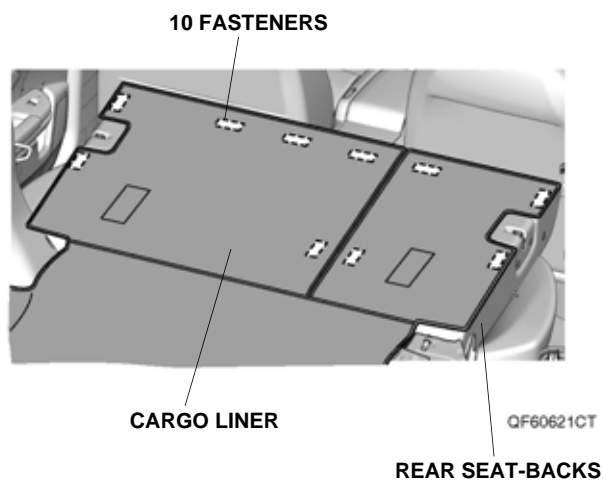
34. Attach the four snaps into the rear trim panel.



32. Open the lid and put the tab in between the lid and the left rear side lower trim. Close the lid.



35. Lay down the cargo liner on the rear seat-backs and attach the fasteners to the rear seat-backs as shown.



#### USE AND CARE

- Store the cargo liner in the bag for safe-keeping when it is not being used.